

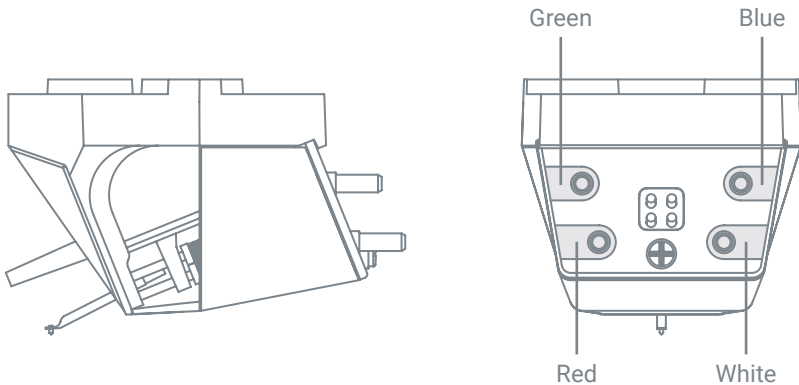
# Nd Cartridge Range

## Important information

If your cartridge has been factory fitted, it would have been carefully aligned, we do not recommend further adjustment to the cartridge. If you are replacing your cartridge, we recommend it is fitted by a Rega dealer. They have been trained in the special fitting requirements necessary and will use a Rega tool to ensure the correct torque. If you do decide to fit it yourself, only use the supplied 90 degree allen key, as this is designed to reduce the risk of overtightening.

**Note:** The included three-point spacer is only required for packing purposes and must not be used for mounting the cartridge.

**Note:** The small circular sleeve provided is only required for older Rega tonearms. For use on the front fixing hole only if required.



## Specifications

Tracking pressure	1.75g
Nominal output voltage	5-6mV



Please scan the QR Code and select your cartridge model.

[www.rega.co.uk](http://www.rega.co.uk)

Rega Research Ltd.

Registered office:

6 Coopers Way, Temple Farm Industrial Estate,  
Southend-on-Sea, Essex, SS2 5TE, England

